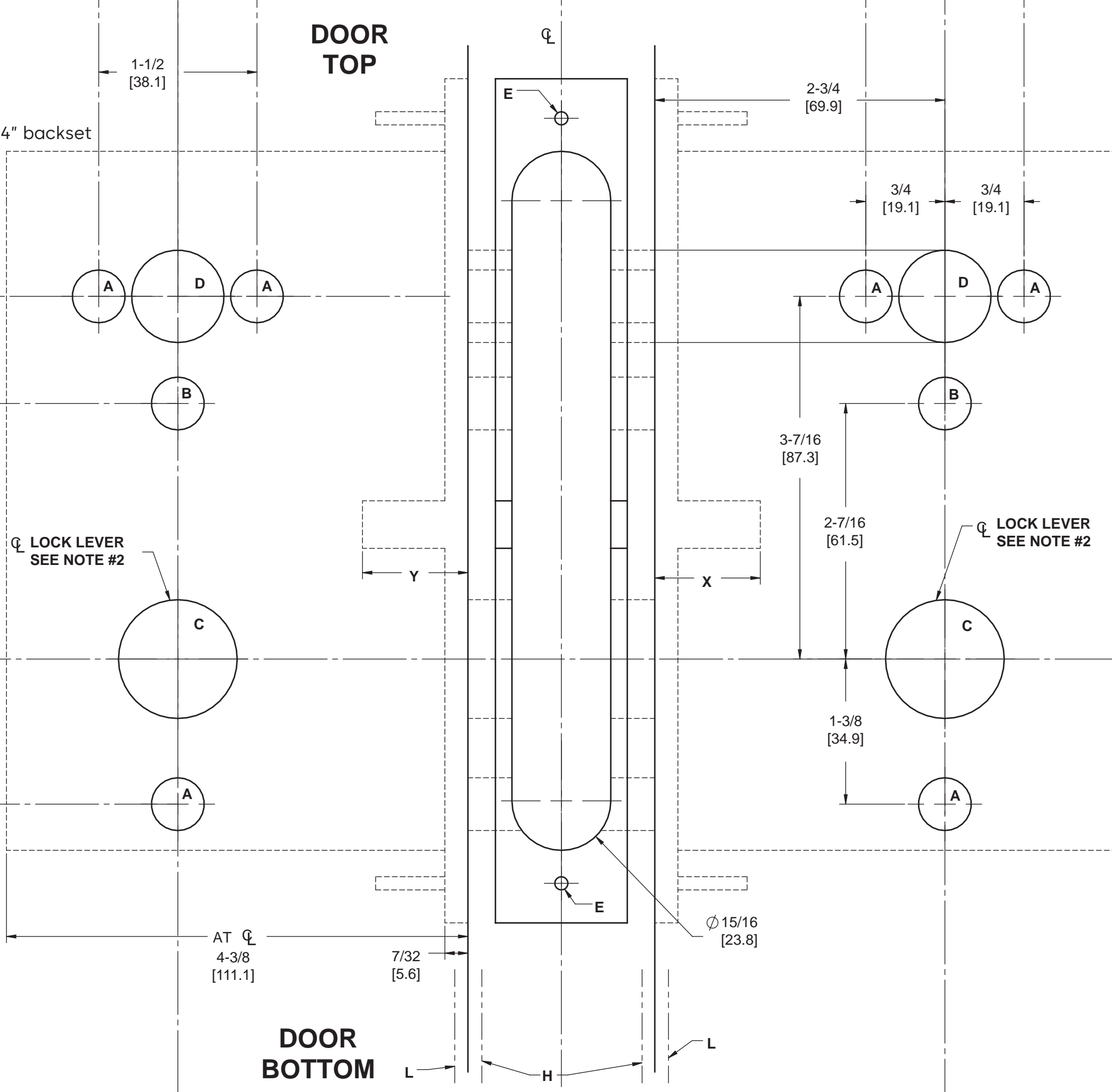
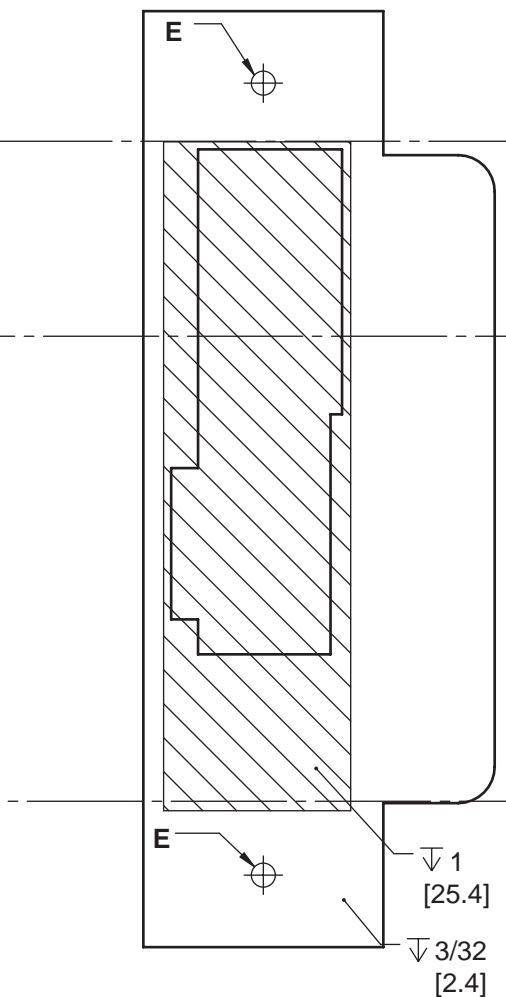


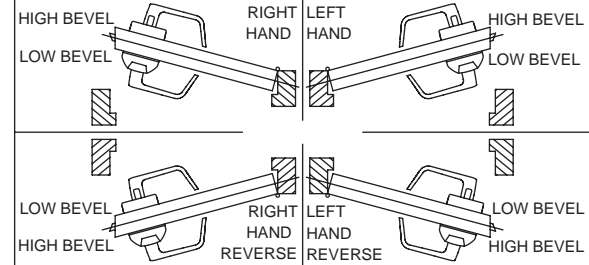
# Saffire LX-M & Saffire EVO LZ-M

Mortise ASM 1-1/4" faceplate, 2-3/4" backset  
Drilling template

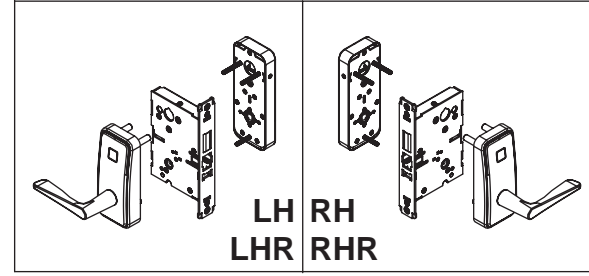


HOLE ID	DIM inch	DIM [mm]	COMMENTS
A	Ø 1/2	Ø12.5	*
B	Ø 1/2	Ø12.5	* ONLY IF THUMBTURN
C	Ø 1-1/8	Ø 31.5	*
D	Ø 7/8	Ø 22	*
E	Ø 1/8	Ø 3.2	∇ 7/8 [22]
X	∇ 1	∇ 25.4	ONLY IF RH OR LHR LOCK
Y	∇ 1	∇ 25.4	ONLY IF LH OR RHR LOCK

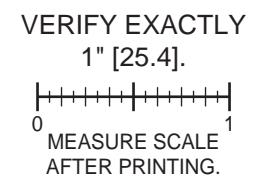
\* UNLESS OTHERWISE NOTED, DRILL HALF DOOR THICKNESS ON BOTH SIDES.



- NOTES:
- FOR DIMENSIONS AND TOLERANCES REFER TO CORRESPONDING DOOR PREPARATION DRAWING IP-515905
  - MORTISE TO BE INSTALLED BY ALIGNING IT WITH THE LOCK LEVER CL
  - FOLDING LINES HIGH (H) AND LOW (L) FOR BEVEL EDGES SHOWN ARE FOR DOOR WITH 3° BEVEL ANGLE
  - SYMBOLS:
    - ∇ DEEP
    - CL CENTERLINE OF DOOR
    - Ø DIAMETER
  - ALL DIMENSIONS ARE IN INCHES [mm]



TEMPLATE TO SCALE 1:1, FULL SIZE



**WARNING**

- To verify lock coverage and door operation meets expectation, dormakaba strongly recommends completing a full door mockup. This will ensure that all necessary products and parts for a successful installation are included.
- Always validate that you have selected the correct template for specific lock model being installed. The same lock model can be offered with different locking device options.
- Always validate after printing to confirm the dimensions listed on the drawing have printed on a 1:1 scale.
- If you have any questions, please contact your local sales representative or authorized reseller.